

Specification

Product: 2835 series

Applications:

8-20cm depth advertising signage

Model : ALEDR903-1.2W



Features:

1. 2835 SMD LED, long life, low attenuation
2. Cascade quantity up to 50pcs
3. Beam angle 160 deg.
4. Constant current, uniform light, stable performance
5. CE,UL, RoHS Approved

Installation:

1. Pre-mounted adhesive tape at backside of the module for initial mounting and screw hole for permanent fixing.
2. Cuttable on wire between every module.

Warranty:

5years or 22000 hours, whichever comes first.

Optical and Electrical parameters:

PRODUCT NO.	LED COLOUR	Colour Temperature (K)	Beam Angle (deg)	Luminous Flux (lm / piece)	CRI Ra	Luminous Efficiency (lm/W)	Working Voltage (V DC)	Working Current (mA / piece)	Power (W / piece)
ALEDR903W	DAYLIGHT	6000	160	106	≥75	88	12	100	1.2

Others:

PRODUCT NO.	LED COLOUR	Standard Qty per string (pcs)	Single-end power feed (pcs)	Double-end power feed (pcs)	Module weight / LED (g/piece)	Operating temperature (C)	Storage Temperature (C)	IP Grade
ALEDR903W	DAYLIGHT	25	25	50	10.2	-25 ~ +60	-25 ~ +70	IP65

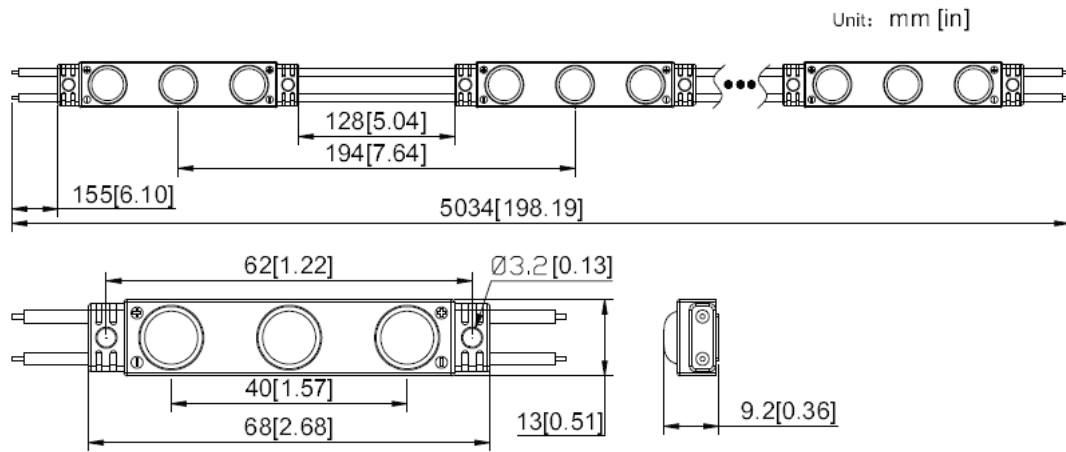
Remarks:

Testing environment temperature 25±2 C

The above data are typical values; the actual data for each single product could differ from the typical values.

The data subject to change without notice.

Profile Drawings:



Light distribution

