

## Side lighting Injection Module

### ALEDMN-12x56 DL



## Areas of application

- Signage and illuminated advertising.
- Best for 120~200mm depth double side light boxes.
- Permanent outdoor use in enclosed light boxes.

## Product features

- Chain of 20 LED modules with single LED each.
- High efficiency LED.
- High color consistency (MacAdam 4).
- Beam characteristic: 12 x 56°.
- Protection class of LED module: IP67.
- Flexible chain, can be split between any module.
- Mounting with screw or premounted double-sided adhesive tape possible.



## Application data

Module number per Chain	20 pcs
Max. module number per Chain	20 pcs
Distance of modules (wire)	135 mm
Ambient temperature $t_a$	-25 ~ +50 °C
Max. temperature on module $t_c$	65 °C
Storage temperature $t_s$	-40 ~ +85 °C
Risk group (EN 62471:2008)	1
Certification list	CE/ENEC/RoHS

## Technical data

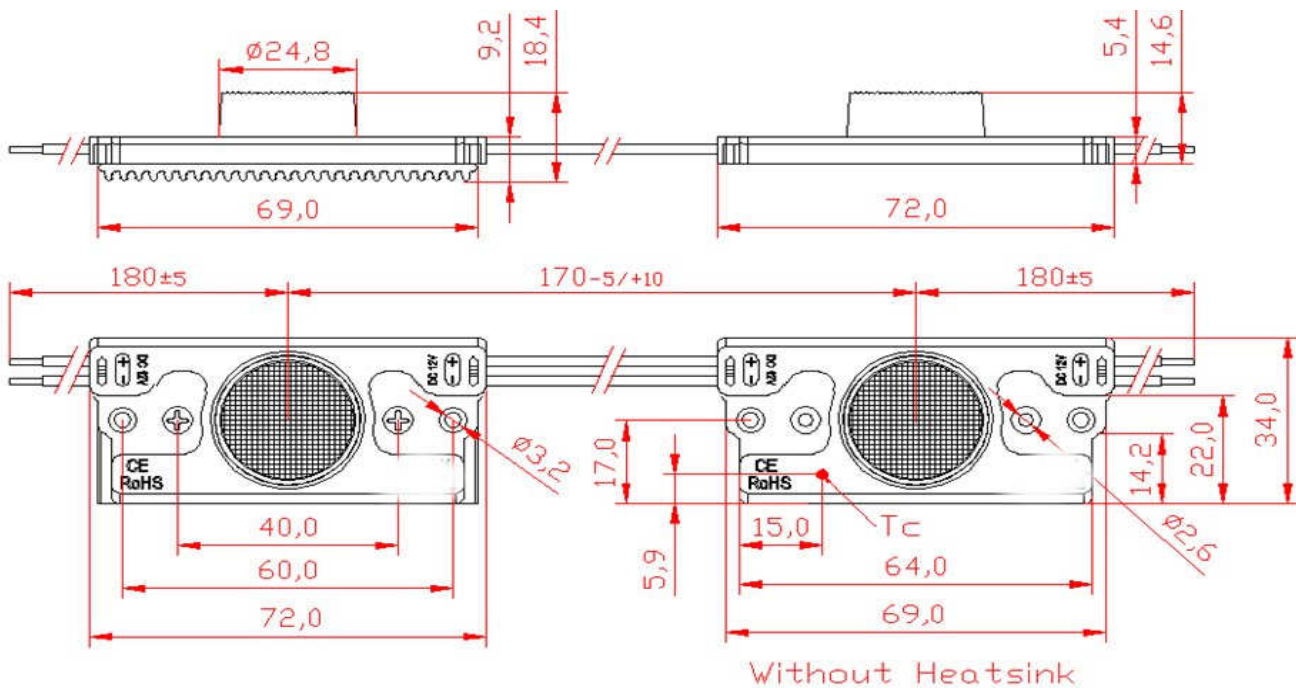
Product Name	Nominal voltage <sup>③</sup>	Color temperature or Wavelength <sup>①②</sup>	CRI <sup>①②</sup>	Typ. Flux per module <sup>①②</sup>	Typ. Power per module <sup>①②</sup>	Luminous efficacy
	12.0 V	6000~7000 K	>70	240 lm	2.8 W	85.7 lm/W

① Tolerance range for optical and electrical data: -15/+15 %.

② All value @ ta=25°C.

③ Tolerance range for the supply voltage: 12 V: ±5 %

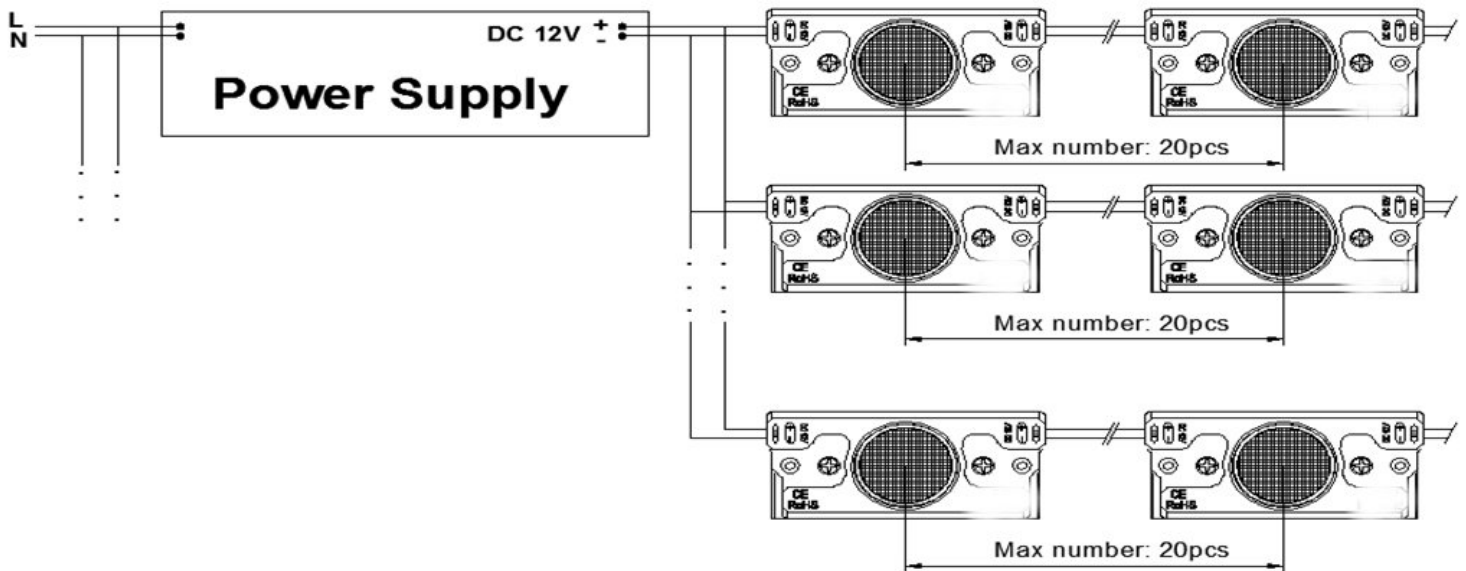
## Product 2D drawing (unit: mm)



## Wiring guidelines

<b>Cable</b>	UL 1007 18AWG	
<b>Color</b>	red - white	white
<b>Function</b>	+	-

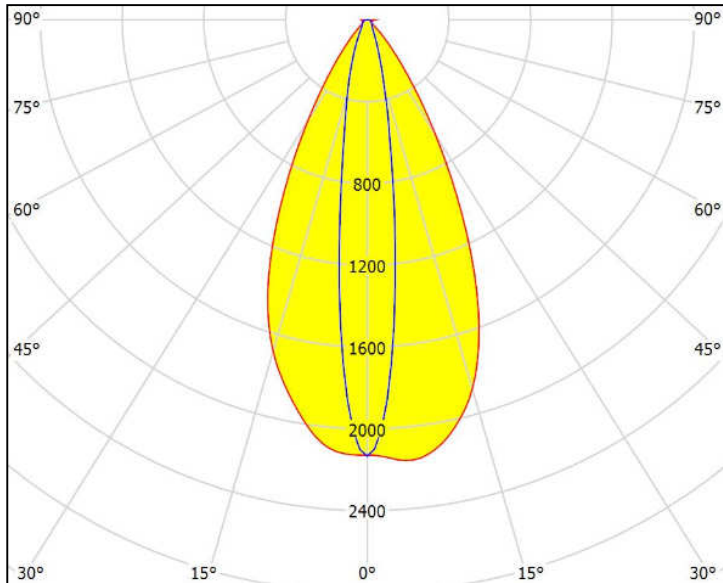
### Wiring example:



- The power cable should meet the actual maximum current and power.
- All the end point of wire should be treated with waterproof;
- Pay attention to the maximum number of connections, prohibit overloading.
- All the power supply must have the corresponding certification.
- Our company reserves the right of final interpretation.
- Subject to change without notice.

## Light distribution

### Beam characteristics 12 x 56°



## Packaging information

Product name	Weight per pc. <sup>①②</sup>	Packaging, low volume		Packaging, high volume	
ALEDMN-12x56 DL	36.0 g	54 pc(s).	1.95 kg	756 pc(s).	23.3 kg

① Tolerance range for weight:  $\pm 10\%$ .

② With Heatsink.

### **AUSLED PTY LTD**

Factory 27, 35-37 Jesica road

Campbellfield VIC 3061

AUSTRALIA

PH : +613 9357 0404

FX : +613 9357 8525

Email : [simon@ausled.com.au](mailto:simon@ausled.com.au)

Web : [www.ausled.com.au](http://www.ausled.com.au)