

## Product datasheet



### Backlighting Mini Plus

- ALEDMINIM-12DL

### Areas of application

- Signage and illuminated advertising
- Backlighting of channel letters, best for 25mm to 80mm depth (1 to 3inch)

### Product benefits

- Uniform and efficient illumination at high LED pitches thanks to **oval optics** design
- Small module size would be flexible in application
- Significantly better application efficiency compared to systems without lenses
- Long lifetime 5 years warranty

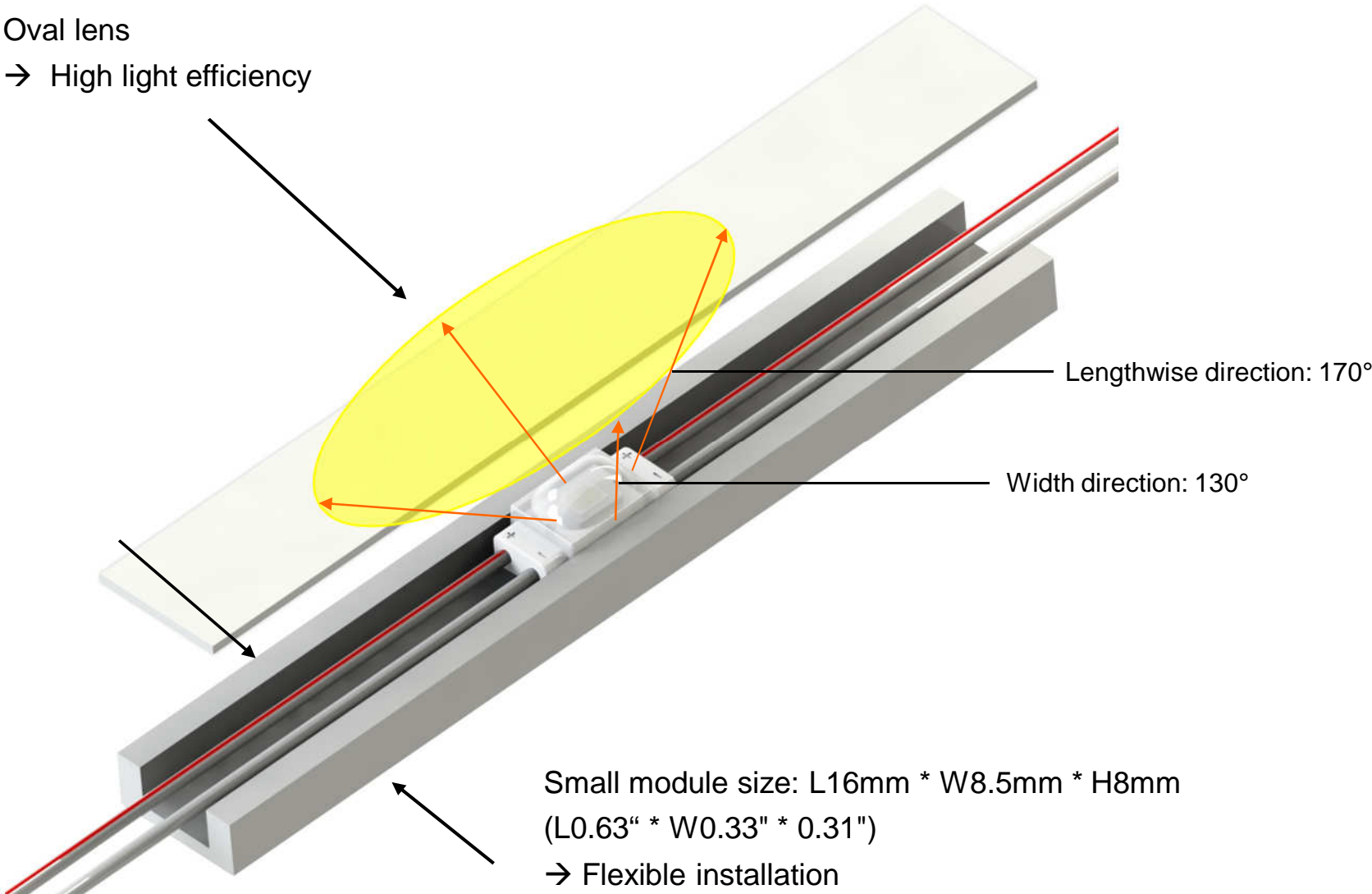
### Product features

- 12VDC
- 41 lm/module
- 115 lm/W
- Beam angle 170° x 130°
- CE marked and UL listed

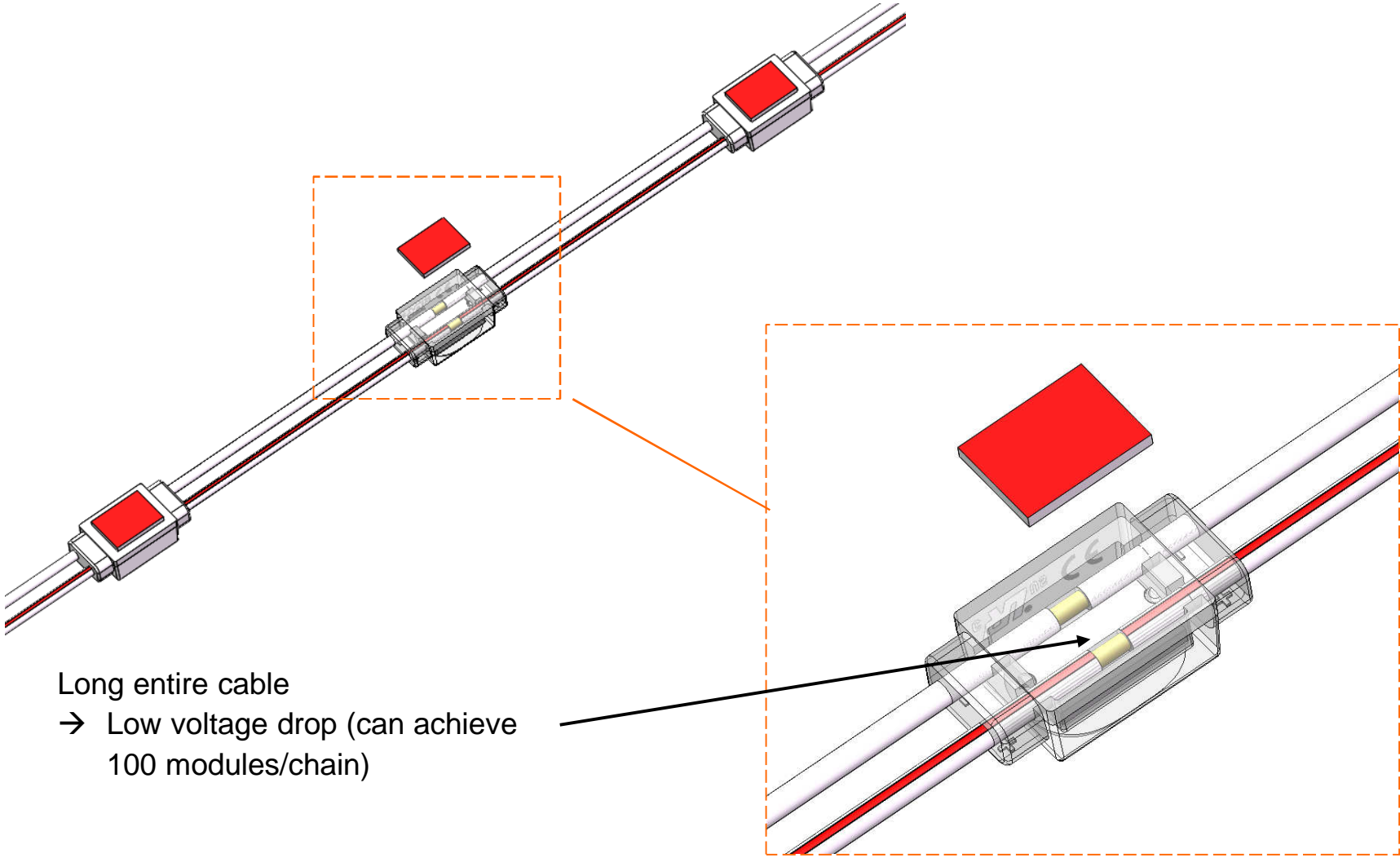


# Product datasheet

Oval lens  
→ High light efficiency



# Product datasheet



## Product datasheet

---

### Electrical data

---

Product Description	Typical Voltage	Energy Consumption (W/module)	Energy Consumption (W/chain)	Energy Consumption (W/ft.)	Power Supper Loading	Additional Information (modules/chain)
ALEDMINIM-12DL	12VDC	0.36	36	2.2	166 modules/60W 27.3 ft./60W	100

---

### Photometrical data

---

Product Description	Light color (designation)	Color (CCT, wavelength)	Color Rendering Index	Typical Brightness (lumen/module)	Typical Brightness (lumen/chain)	Typical Brightness (lumen/ft.)
ALEDMINIM-12DL	White	7000K	Ra > 70	41	4100	250

---

# Product datasheet

---

## Environmental and Application Conditions

Operating Environment ( $t_a$ )	-25°C to +55°C
Storage Temperature Range ( $t_s$ )	-40°C to +85°C
Max. operating (case) temperature ( $t_c$ )	80°C
IP Rating	IP67
Lifetime (L70B50)	50,000 hours
Dimming mode	Dimmable
Cutting Resolution	Cut on wire between every module

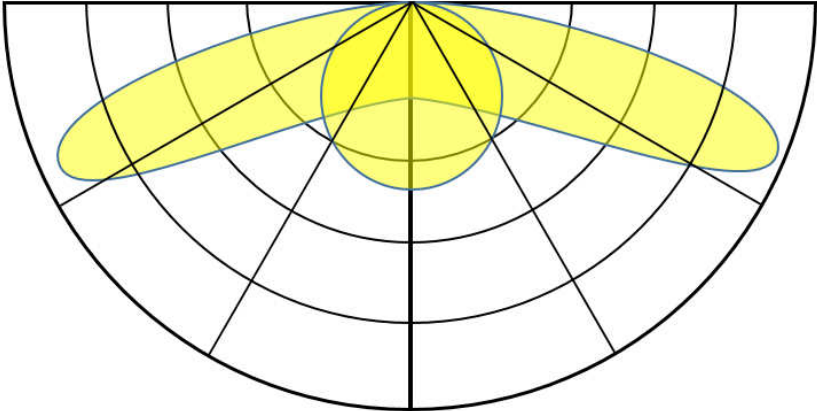
## Maximum Supply Wire Limits

30W	83 modules	4.2 m (13.7 ft.)
60W	166 modules	8.3 m (27.3 ft.)
80W	222 modules	11.1 m (36.4 ft.)
100W	277 modules	13.9 m (45.6 ft.)
180W	500 modules	25 m (82 ft.)

---

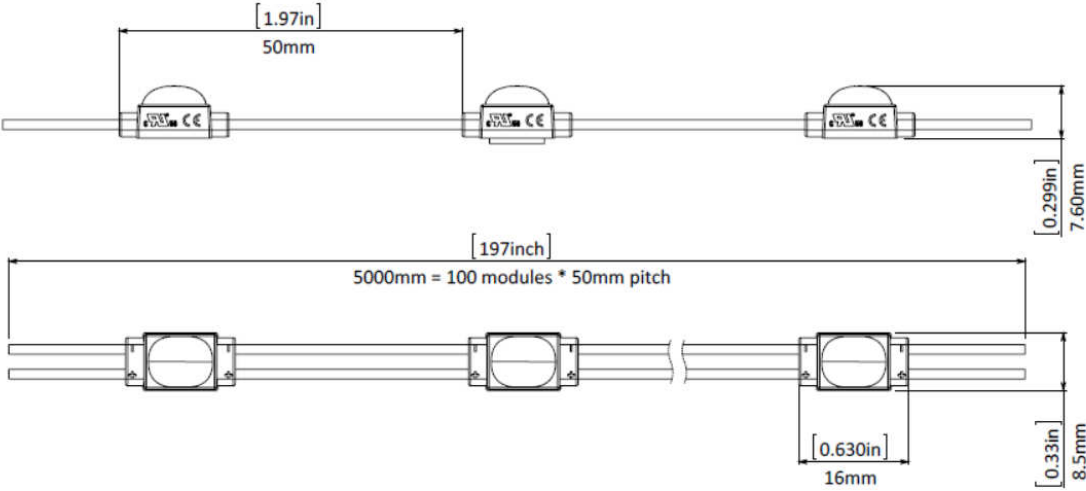
# Product datasheet

## Light distribution



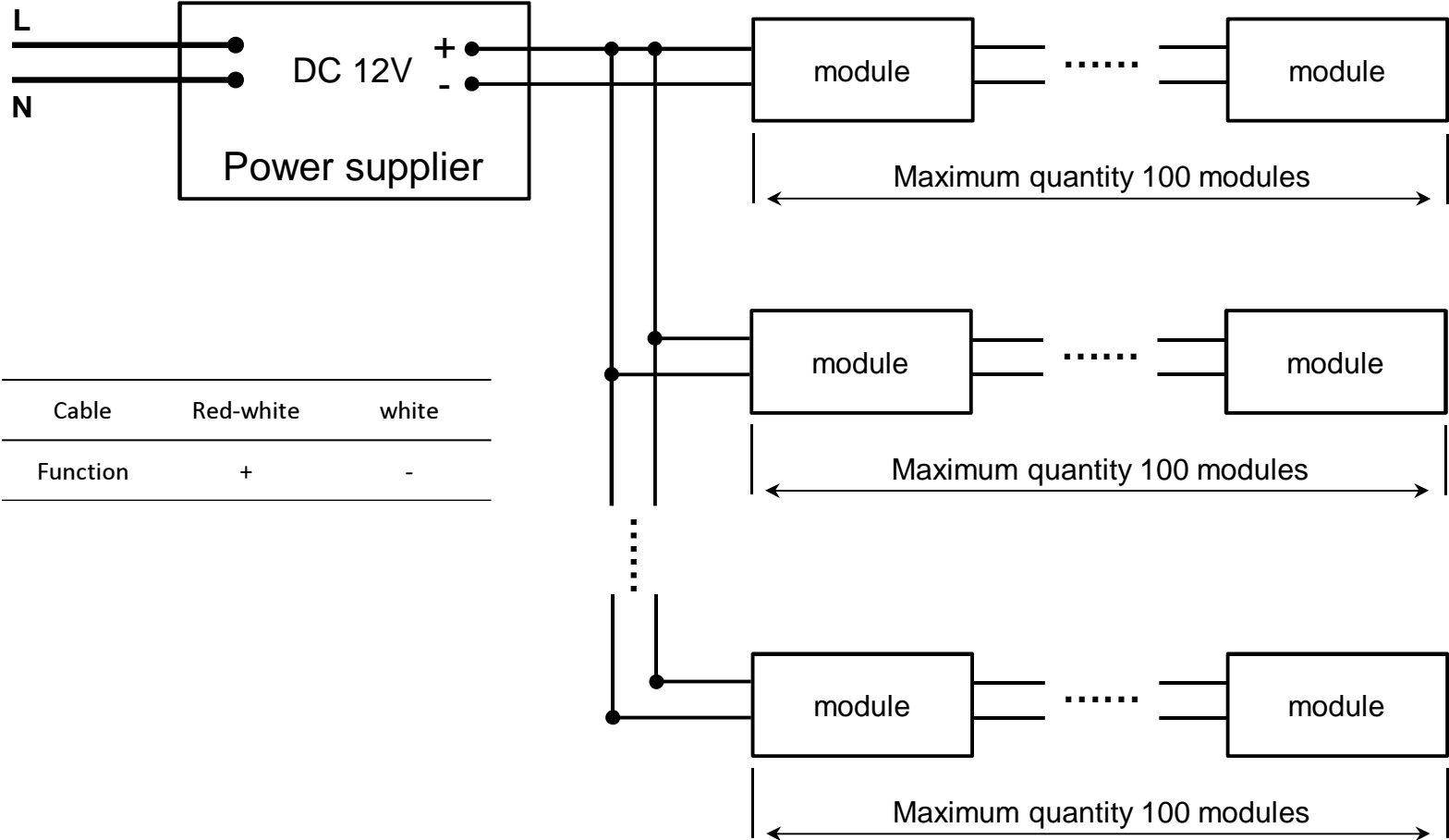
170° x 130°

## Product line drawing



# Product datasheet

## Wiring method



\* The secondary cable recommend AGW18, < 1 meter (3.28 ft.)